

PROFLEX G5/G9 SINGLE GRID

High Performance System

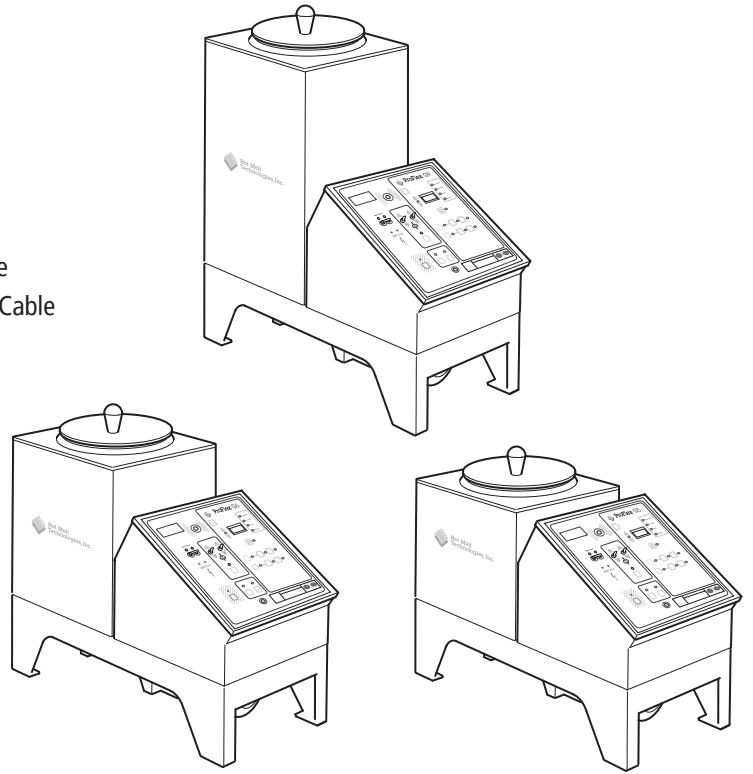
220v, 1ph

Standard Features

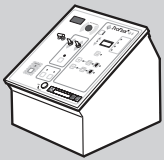
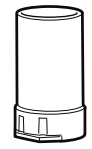

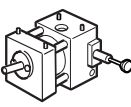



- ▶ Auto-Standby
- ▶ Auto-Off Timer
- ▶ Ready Delay Timer
- ▶ Manual Standby
- ▶ Set Point Limit
- ▶ Front Panel Diagnostics
- ▶ All Zone Ready
- ▶ Temp Readout, °F or °C
- ▶ ±1°F Temp Control
- ▶ Hose/Gun On/Off Control
- ▶ 2 or 4 Hose/Gun Capability
- ▶ Audible Fault Alarm
- ▶ Service Clock
- ▶ Pump On/Off Control
- ▶ Precision Flow Control

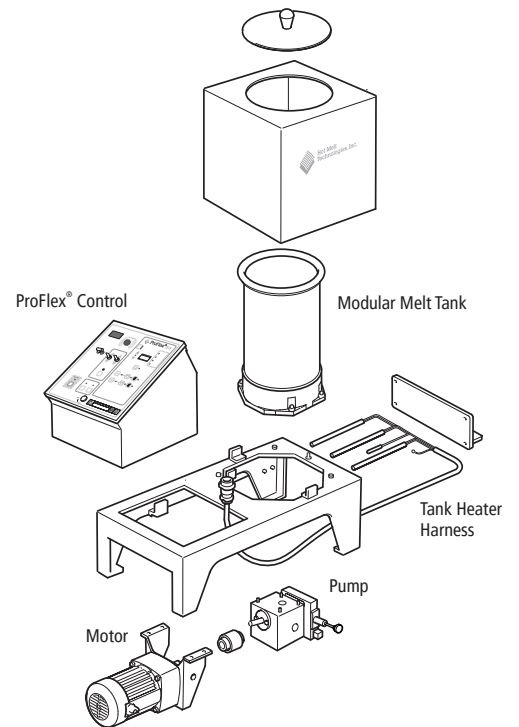
Common Options

- ▶ #340-032 Key Lock
- ▶ #934-247 24h/7d Timer
- ▶ #921-011 Steel Cart Assembly
- ▶ #XP-922-221 OEM Interface Cable
- ▶ #XP-922-040 Remote Motor Run Cable
- ▶ #910-055 Pump Pressure Gauge
- ▶ ProFill Load Alert
- ▶ 240v, 3ph



System Configuration

GX - XX - X - 40 - X				
CONTROL PACKAGE	TANK SIZE	TANK HEATER HARNESS	PUMP	MOTOR
 G5 - 2 hose/2 gun G9 - 4 hose/4 gun	 17 lb	 3 - 1800 W @ 220V 4 - 2400 W @ 220V	 PA-40	CONSTANT SPEED M - 85 RPM, 1/6 HP F - 113 RPM, 1/3 HP K - 170 RPM, 1/3 HP
	 25 lb			VARIABLE SPEED A - AC 0-125 RPM G - DC 0-125 RPM
	 35 lb			
	 50 lb			



Effective Date: 2/1/2019

All prices are subject to change without notice

©2019 Hot Melt Technologies, Inc

