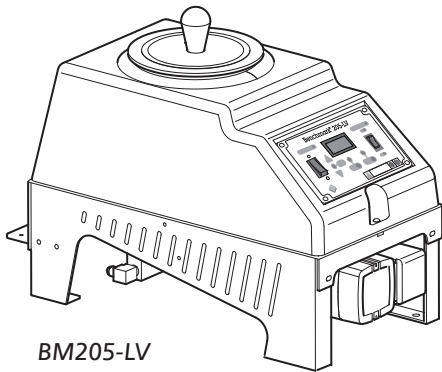


BENCHMARK 200 SERIES

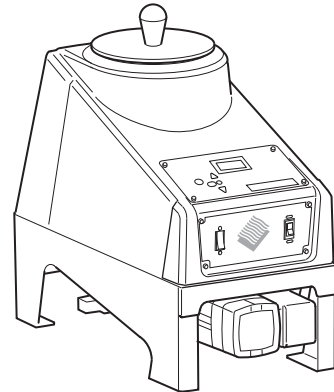
Hot Melt System

Standard Features

- ▶ 225°F - 400°F
- ▶ O.T. Protection
- ▶ Temp Readout, °F and °C
- ▶ AC Drive Motor
- ▶ Cast Iron Pump w/ Steel Gears
- ▶ Tank Filter
- ▶ Pump Ready w/ Lock Out
- ▶ Precision Flow Control



BM205-LV



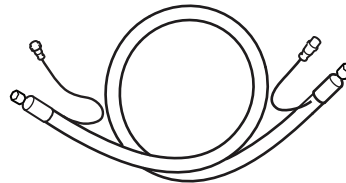
BM215-HV

Benchmark Melt Unit 120v, 20 amp

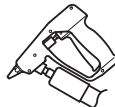
DESCRIPTION	PART NUMBER P/N#	TANK CAPACITY (APPROX.)	HOSE/GUN CAPABILITY
Benchmark 205-LV4	BM205-LV4	8 lbs. (1 Gal.)	2
Benchmark 215-HV4	BM215-HV4	13 lbs. (2 Gal.)	2

Heated Hoses 120v

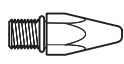


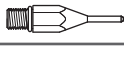
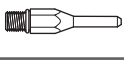
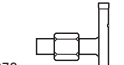
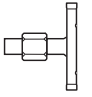
HOSE LENGTH	HOSE P/N#
8 Ft.	721-608
12 Ft.	721-612
16 Ft.	721-616



Handguns & Automatic Guns 120v

CONFIGURATION	Standard Entry 
PART NUMBER #	DG-413-S

DG-400 Series Nozzles

PART NUMBER #	ORIFICE
156-018 	.050
156-022 	.090
156-080 	.050
156-033 	.050
156-043 	.050
156-047 	.090
156-067  ▶ Requires 156-078	.080

Effective Date: 1/1/2018

All prices are subject to change without notice

©2018 Hot Melt Technologies, Inc

